



SL5

OPERATING INSTRUCTIONS

SL5-SIDED TIPPER SL5



CONTENT:

1.	INTRODUCTION	2
2.	SL5 AND VEHICLE OPERATION.....	3
3.	SAFETY REGULATIONS	4
4.	OPERATING RISKS	6
5.	WARNING DURING OPERATION	6
6.	LOAD DISTRIBUTION.....	7
7.	TILTING THE BOX	8
8.	OPENING THE SIDE PANELS AND REMOVING THE PILLARS.....	10
9.	ALSAP GENERAL WARRANTY CONDITIONS	11
10.	SERVICE AND COMPLAINTS	12
11.	INSPECTION AND MAINTENANCE INSPECTION.....	12
12.	RECORD OF SERVICE INSPECTION	13

1. INTRODUCTION

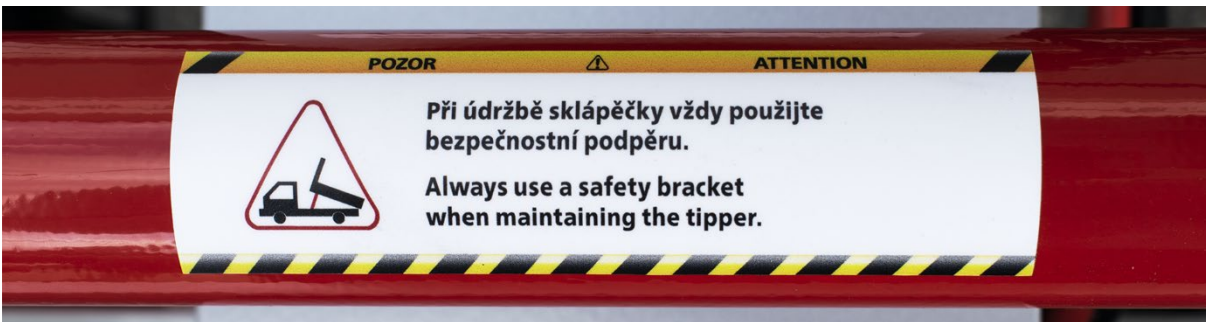
The information manual is a summary of safety and operating instructions for the SL5 tipper. The tipping body is designed for the transport of various materials, with the possibility of three-sided tipping. It is also adapted for the transport of bulk materials such as gravel, sand, clay, etc. An important aspect for the trouble-free operation of the tipper is the correct distribution of the load and compliance with the maximum weight. The tipper operator is responsible for complying with the above regulations and legislation.



Failure to follow the instructions or improper handling of the SL5 can result in personal injury or permanent damage to the tipper. In the event of a breach of the safety instructions below or any modification of the SL5 tipper, the manufacturer will void the SL5 tipper warranty. The manufacturing company is not responsible for improper handling and operation of the SL5 tipper.

2. SL5 AND VEHICLE OPERATION

The tipper operator must be trained and familiar with safe operation and risks. The operator of the SL5 tipper is responsible for the operation, maintenance and training of the operator. The transported material must be secured with safety elements during road transport. The vehicle operator is always responsible for observing the operating conditions and safety of the tipper operation. The vehicle must be used in accordance with road traffic regulations.

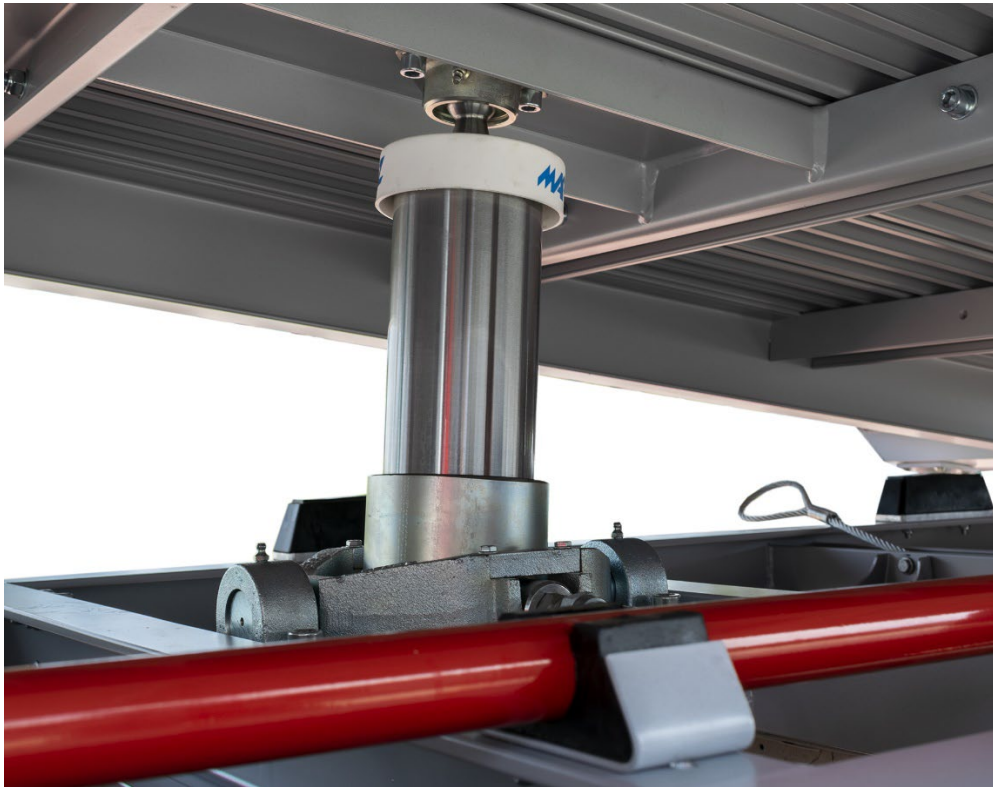


Follow the safety instructions and user instructions that are located on the SL5 tipper.

3. SAFETY REGULATIONS

If it is necessary to make the necessary repairs under the raised body, it is always necessary to secure the body with a red strut, which is located on the subframe.

The SL5 tipper hydraulic system is the factory setting for trouble-free tipping. The pressure in the pump is limited so that unauthorized loads cannot be tipped over. It is strictly forbidden to modify or interfere with the hydraulic system. In the event of a fault, always contact the manufacturer's service partner.





Never step under the body if it is raised and not secured by a safety support. The safety support is being introduced, when the tipper is empty and exclusively in the rear tipping mode.

4. OPERATING RISKS

- It is forbidden to overload the tipper and the vehicle before it is allowed
- The load must always be evenly distributed on the body
- Modifications and alterations to the hydraulic system are prohibited
- Change the setting of the end positions of the tilt
- Tilt on uneven or unpaved surfaces
- Move in the space under the rising tipper
- It is forbidden to move the chassis when the body is raised

5. WARNING DURING OPERATION

Before lowering the body, the operator must have a view of the course of the tipping and make sure that no one is in the working area of the tipper (even in the event of a rollover accident). When tipping, the ground on which the vehicle is located must be stable and firm in all directions.

Tilting on a slope:

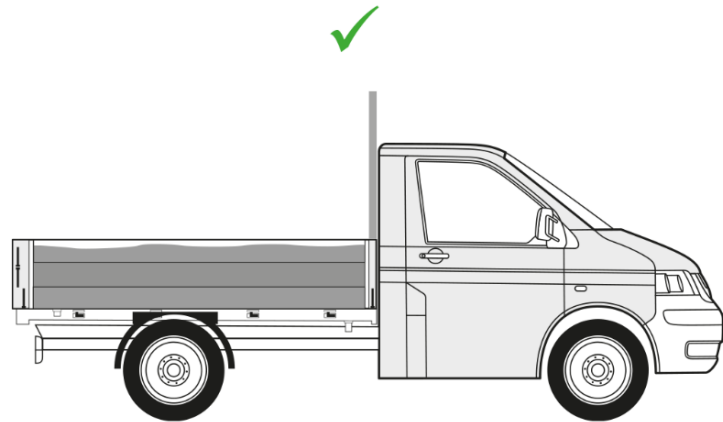
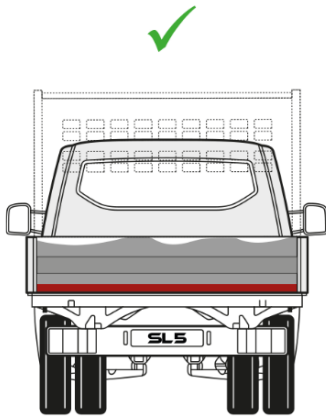
If the body is tilted against a slope, the tilt angle is reduced and the body may not be emptied. If the body is tilted downhill, the tilt angle is increased and there is a risk of the tipper tipping over. This risk can only be reduced by partially lifting the body.



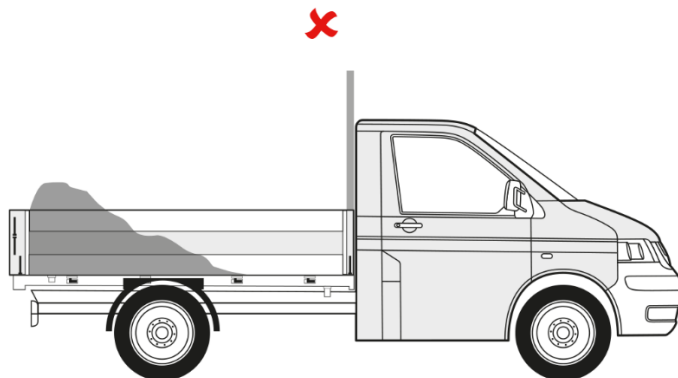
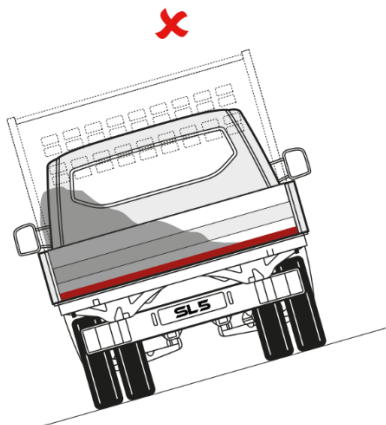
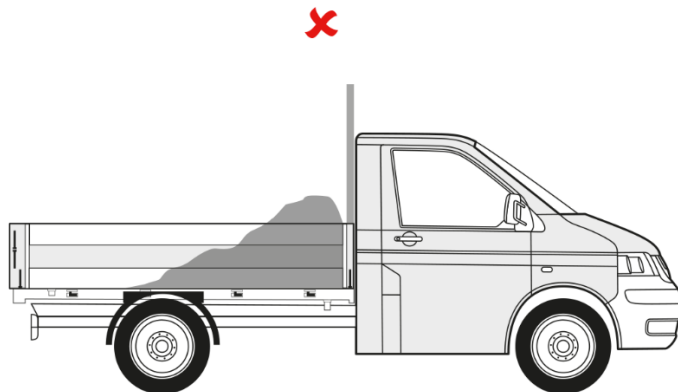
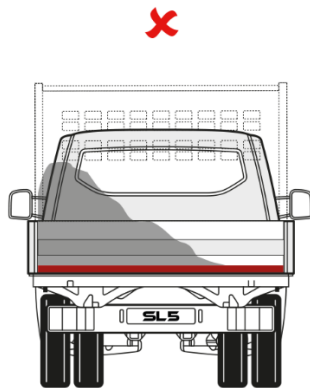
Beware of vehicle instability due to sticking, icing or unevenly distributed loads.

6. LOAD DISTRIBUTION

RIGHT



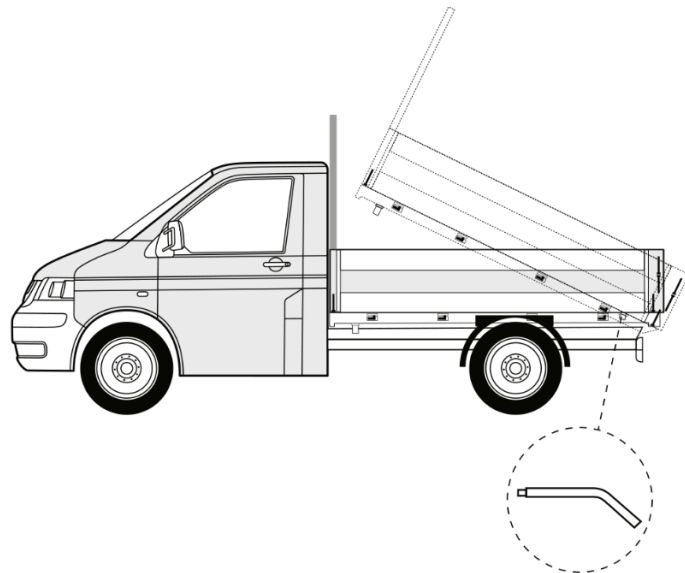
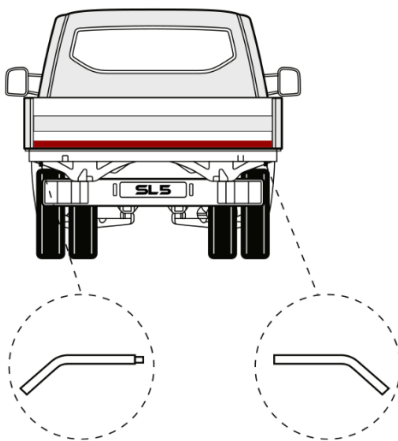
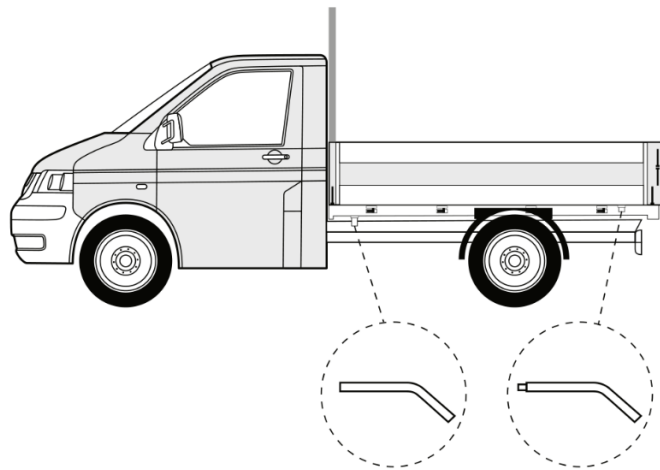
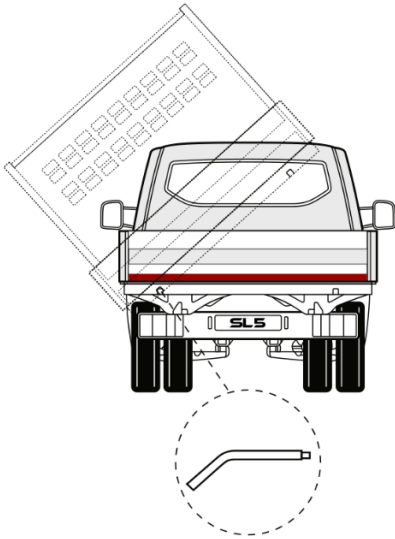
WRONG



7. TILTING THE BOX

METHOD

See figure below for the use of body locking pins / pins. The body lies on four support points and is secured with two pins. When tilting, both pins must always be on the side on which it will be tilted. The locking pins are different and have two diameters. This prevents improper placement of the pins when tilting crosswise and prevents damaged bodies. The pin must be rotated 180° when pulled out.



TILTING

There is a switch on the subframe of the vehicle to start the hydraulic pump, which disconnects the power supply from the battery to the pump (horizontally – on, vertically - off). Before driving, switch off the power supply to the pump.

Always keep the vehicle engine running before recharging the hydraulic pump and during tipping to recharge the battery. After switching on the switch, the hydraulic pump is ready for operation.

On the wired or wireless controller (the wireless controller must first be switched on with the middle button with the "power" symbol), press the up arrow button. This will start the pump and start lowering the body. Press the down arrow button to lower the body.

When starting, follow the instructions and check the space under the body for injuries or damage. After lowering the body, check that it is correctly seated on the body's ball joints.

The power supply to the pump is protected by a 300 A fuse.

Stroke limitation: When tilting backwards, the stroke is limited by the length of the hydraulic cylinder. When tilting to the side, the stroke is limited by the limit switch



Hydraulic pump control:

Cabel (standard)



Wireless (premium equipment)



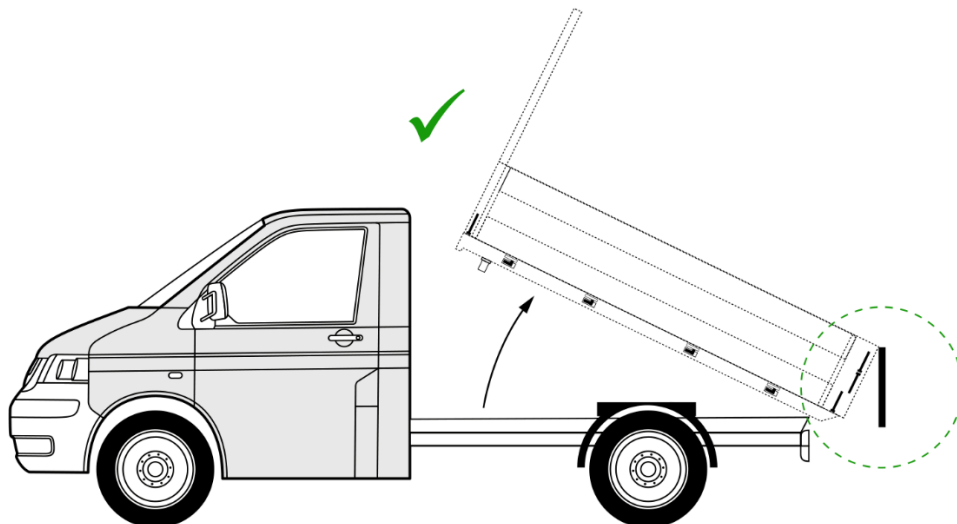
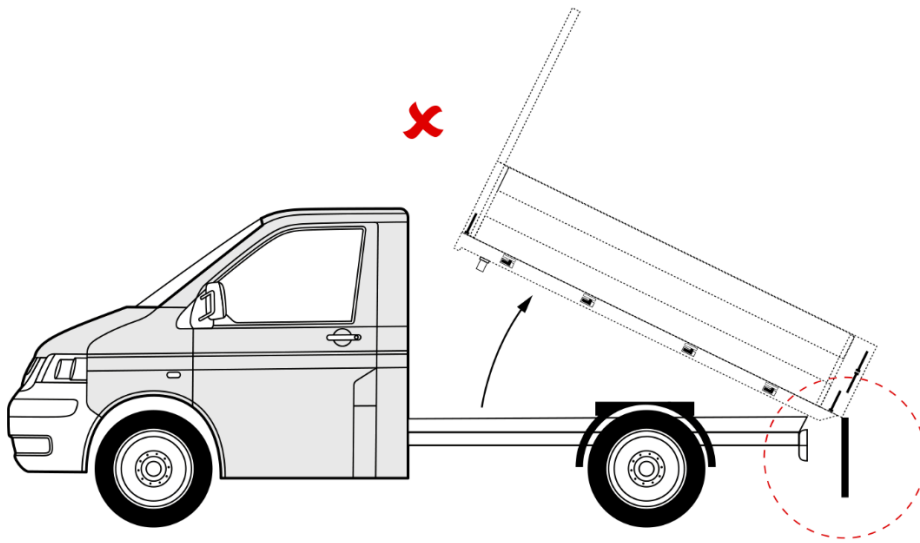
The cable controller is magnetic and can be attached on the metal part of the cabin.

8. OPENING THE SIDE PANELS AND REMOVING THE PILLARS

The SL5 superstructure is equipped with a combined system of ARMATON posts, which allow the side panels to be opened like a flatbed (downwards after unlocking the locks on the post and at the rear face also around the upper pin). They also allow complete disassembly of the body, including the rear pillars and the creation of a platform.

Rear face unlocking is combined. When tilting backwards, it is necessary to unlock the lower lever on the rear pillars and to unlock the lower pins. The rear face starts to function as a "pendulum". After lowering the body, it is necessary to visually check the locking of the pins in the posts and then close the lower locks.

CAUTION for dirt on the rear edge of the body. It is necessary to visually check whether the rear face is released when the body is lifted.



9. ALSAP GENERAL WARRANTY CONDITIONS

The warranty period of 12 months is included on the day of mounting the SL5 kit on the vehicle. The condition of the warranty is regular annual inspections by a trained service partner of ALSAP, s. r. o. The service inspection must be performed according to the instructions of the manufacturer ALSAP, s. r. o. And the service company is responsible for compliance with the specified conditions for SL5 service work.

The warranty of ALSAP, s. r. o., Includes only the replacement of the claimed parts. Other costs associated with complaints, replacement of parts or service intervention are not guaranteed by ALSAP, s. r. o.

As part of the complaint procedure, there is no right to reimbursement of other costs such as towing the vehicle, lost profit etc.

ALSAP, s. r. o. Will issue an invoice for all parts that are required for spare parts, which will be credited after the complaint has been accepted on the basis of the returned claimed goods.

In particular, the warranty does not apply, if it has been filled, any of the points below.

- Modification or replacement of non-original SL5 body parts.
- Service activities, repairs and revisions were not performed at the service partner of the manufacturer ALSAP, s. r. o.
- Any interventions in the hydraulic system have been made
- The pressure on the pump has been changed
- Insufficient maintenance on the part of the end user, which caused the damage
- Error handling or loading material
- The superstructure has been disassembled or parts of it have been redesigned or modified
- The device has been used for purposes other than those approved and permitted by the manufacturer
- The maximum weight stated in the technical certificate has been exceeded
- The tipping process has been performed in a prohibited manner
- In the absence of warranty checks (annual check – confirmed in the warranty).
- If the confirmed warranty card has not been returned within 48 hours to the address of ALSAP, s. r. o.
- For consumables
- The warranty card has not been filled out
- In case of emergencies

10. SERVICE AND COMPLAINTS

V In the event of a warranty inspection, damage, complaint or service, contact your SL5 bodybuilder.

The warranty inspection includes:

Hydraulic system

- Check the hydraulic system connection
- Check the condition and tightness of the individual components of the hydraulic system and replace them if necessary.
- Check hydraulic oil and replace if necessary
- Testing the functionality of all components depending on the hydraulic system and possible adjustments

Mechanical components

- Check the further operability of the body
- Chassis, frame and body clamps
- Four support points and locking pins for the body.
- Storage and securing of the sides, rear face.
- Condition of springs, chains and suspension eyes for body handling.

11. INSPECTION AND MAINTENANCE INSPECTION

Hydraulic oil ISO 46, SAE 20 W is used in the hydraulic system.

Graphite grease is used to lubricate the components.

Before each work operation

- Check the condition of the hydraulic system (oil leakage, damage to hoses). Clean the stroke limiter of dirt.

Before each ride

- Visual inspection for hydraulic system leaks. Check for deformations or loosening of parts on the body, frame, springs, pins, etc.

Once a week

- All lubricators on the body and on the hydraulic system must be lubricated. Lubricate the support ball pins to attach the body. Lubricator on the ball bearing of the tilting cylinder. Moving parts of the stroke limiter. Regular lubrication of side closures.

Once a month

- Check the hydraulic oil level on the oil mark located on the oil tank at the pump.
- Adjust the rear face release mechanism.
- Check the tightening of nuts and bolts.

Once a year

- Carry out a thorough washing of the entire tipper and simultaneous maintenance according to the subchapters.

Once a year

- Inspection by a contracted service partner and elimination of defects and deficiencies.



Note: Pressure washing cannot be used to wash parts that require lubrication.

Proper care and maintenance significantly increases the service life and safety of the tipper.

12. RECORD OF SERVICE INSPECTION

Service inspection

Date		Stamp
Number of kilometers		
Inspection and service of the hydraulic system		
Inspection and service of mechanical components		
Next service check		
Signature		

Service inspection

Date		Stamp
Number of kilometers		
Inspection and service of the hydraulic system		
Inspection and service of mechanical components		
Next service check		
Signature		

Service inspection

Date		Stamp
Number of kilometers		
Inspection and service of the hydraulic system		
Inspection and service of mechanical components		
Next service check		
Signature		

Service inspection

Date		Stamp
Number of kilometers		
Inspection and service of the hydraulic system		
Inspection and service of mechanical components		
Next service check		
Signature		

Service inspection

Date		Stamp
Number of kilometers		
Inspection and service of the hydraulic system		
Inspection and service of mechanical components		
Next service check		
Signature		

Service inspection

Date		Stamp
Number of kilometers		
Inspection and service of the hydraulic system		
Inspection and service of mechanical components		
Next service check		
Signature		

Service inspection

Date		Stamp
Number of kilometers		
Inspection and service of the hydraulic system		
Inspection and service of mechanical components		
Next service check		
Signature		

Service inspection

Date		Stamp
Number of kilometers		
Inspection and service of the hydraulic system		
Inspection and service of mechanical components		
Next service check		
Signature		



The Account Address:

ALSAP s. r. o.

Jičínská 244

293 01 Mladá Boleslav

IČ: 28861388

DIČ: CZ28861388, Oddíl C, vložka 149677

The Headquarters & Store and Showroom:

Průmyslová 394

267 01 Králův Dvůr u Berouna

Czech Republic

Phone: +420 733 746 997, +420 733 746 999

E-mail: prodej@alsap.cz